

2200 Advanced Counterfeit Detector

The most reliable authentication

Cassida 2200 uses infrared illumination to verify a bill's IR security marks. The bill's IR image is transmitted to the monitor enabling you to instantly determine if a bill is counterfeit.

All-in-one counterfeit detection system

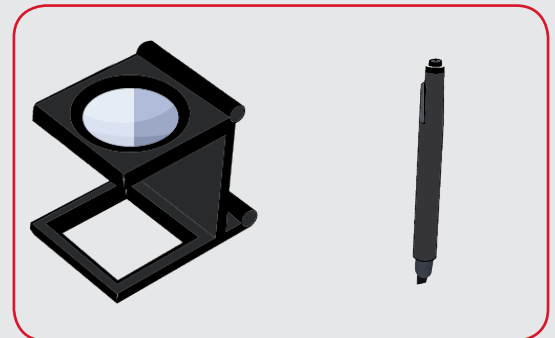
Infrared detection
Magnetic Detection
Image magnification
Watermark detection
Chemical paper analysis

User Friendly

Auto-on/off sensor
Large built-in monitor
Easy-to-use control panel
Lightweight and compact

Included accessories

Chemical analysis pen
Magnifying glass



Magnifying Glass and
Chemical Analysis Pen

Product Specs

Model:	2200
Dimensions, unit:	8.5" w x 7.7" d x 11.2" h (216mm x 195mm x 284mm)
Monitor size:	4" x 3.5" (107mm x 89mm)
Weight:	3.5 lbs (1.5 kg)
Power input:	110-120 VAC 60Hz
Power consumption:	<30 watts
Camera:	IR (infrared)